



GEO Micro Swivel Prism

Description

The GEO Micro Swivel Prism is intended for use with our Automated Motorized Total Station data collection systems (please see separate data sheet for details). This 10mm Micro Prism is great for any application where a less obtrusive sensor with a smaller profile is desired. It consists of a copper coated optical glass prism in a dust and water proof high grade plastic injection and stainless steel housing.

The prism has an adjustable angle and once mounted it can be “swiveled” into the correct position. This configuration allows the prism to be properly aligned with the AMTS on variable mounting surfaces. Prisms are used where X, Y & Z measurements are desired.

Applications

Use the less obtrusive and smaller profile Micro Swivel Prism to monitor movements on all types of structures or geologic features, such as:

- Response of adjacent structures to construction or natural ground movements.
- Slab adjustments during jacking, or soil improvement operations
- Provides an early warning system of pending landslide areas and slope failure by monitoring the stability and movement of natural

slopes, highways, railways, and dams

- Behavior of structural members under loads/ unloading

Features

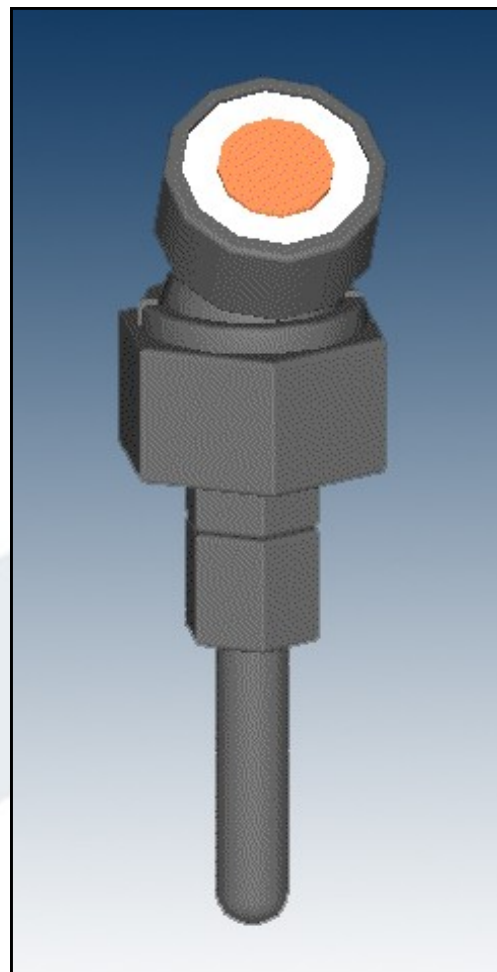
- Rugged and waterproof
- Low profile and unobtrusive
- High accuracy
- Prism has a 130 degree x 360 degree field of view and can be rotated to correct angle and locked into place

Installation:

The Micro Swivel Prism masonry anchor is anchored into the structure or geologic feature with epoxy or standard grout. The prism is positioned to be in the line of sight of the AMTS. The prism is then rotated to be in alignment with the AMTS and locked and tightened into place with a double locking bolt.

Maintenance:

The system can be left in place in all types of weather for permanent installations. The high quality optics require no maintenance. Care should be taken to avoid areas where steam vapor, snow, ice, smoke, or obstructions may block the line of sight to the AMTS.



Specifications:

- Prism outside diameter = 10mm
- Materials = High grade plastic injection molding / stainless steel
- Overall width x length = .75” x 3”
- Masonry attachment = .25” wide x 1.5” long
- Prism has a 130 degree x 360 degree field of view and can be rotated to correct angle and locked into place

Main Office

24 Celestial Drive, Suite B
Narragansett RI, 02882
Phone 800.477.2506
Fax 401.633.6021

Northwest Office

2100 196th Street SW, Suite 109
Lynnwood WA, 98036
Phone 800.477.2506
Fax 401.633.6021

We make it easy to
get the data you need.

www.Geo-Instruments.com

sales@Geo-Instruments.com

